

JETSTREAM

SWITCHING MODE
DC REGULATED POWER SUPPLY

JTPS32MAB

INSTRUCTION MANUAL

socket on the unit.

1. Before replacing a fuse make sure that the unit has been turned off. Be sure to use the specified type of fuse.
2. Make sure the product is always suitably grounded to prevent electric shock and to reduce noise.
3. Never disassemble, modify, and touch the inside of the unit unnecessarily. That could cause damage to the product and make the warranty invalid.

5. output current: 30A (max), 20A (continuous)
6. Ripple: less than 80mVp-p at rated load
7. fuse: 8A
8. Meter: single volt/current meter, back-lit
9. Dimensions: 150(W)×70(H)×220(L)mm(Projections not included)
10. Weight; approx. 1.5kg

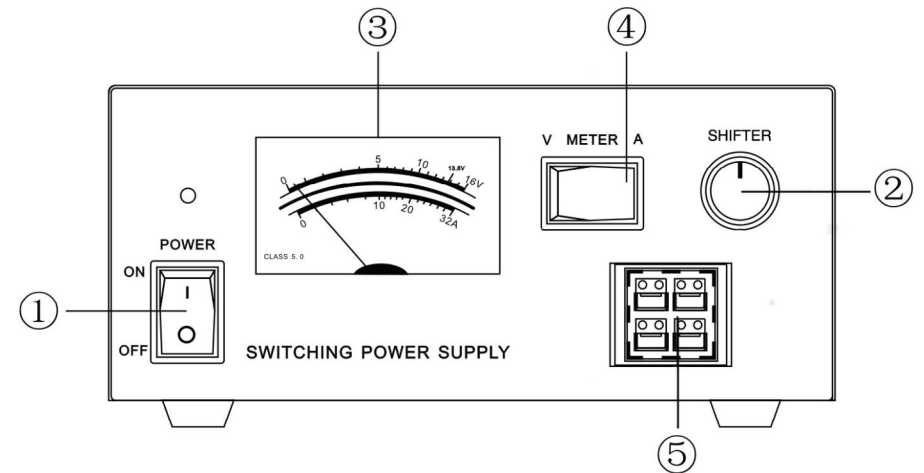
CAUTION

4. Even though the chassis of the unit is negatively grounded, use correct terminals to connect cable.
5. When plugging the unit into a wall outlet, it must be turned off.
6. Place the unit in a dry and well ventilated area.
7. Never touch the unit while it is working. Even though it is designed for high efficiency, the unit will still get hot.
8. A current limiting system will protect the unit from overloading.
9. If a short circuit occurs while outputing, the unit will be protected by a short circuit protection function. Turn off the unit and repair the cause of the short circuit immediately, then turn it back on.
10. Do not use the unit for devices that require high current input at the start, such as motorized equipment. Do not use the unit to charge a car battery.
11. Do not use a car cigarette lighter in the cigarette plug

INTRODUCTION

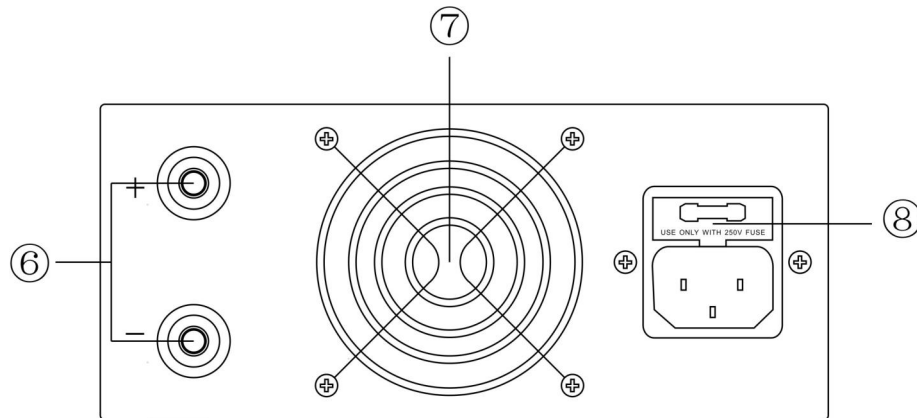
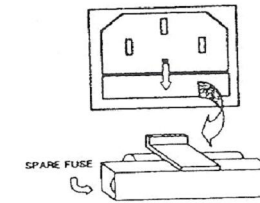
JTPS32MAB is a high efficiency, compact, lightweight, high performance switching power supply. It is also engineered to minimize the noise specifically for the communication. Even when the noise occurs, it can be eliminated by the Noise-Offset control. Many convenient functions like voltage pre-set knob and a highly visible back lit meter are all included in this standard power supply.

PART NAMES AND FUNCTIONS



1. **Power switch:** Turns the unit on and off.
2. **SHIFTER:** Adjust it to eliminate the pulse noise of the switching power supply. This function is specially designed for communication. (Effectiveness may vary because of the frequency and mode.)
3. **Meter:** Displays the voltage or current.
4. **Meter switch:** Select the position to indicate voltage (V) or current (A).
5. **Anderson Power Poles output terminal:** 30A max.

6. **Output terminal:** 30A max; Red positive; black negative.
7. **Cooling fan**
8. **FUSE**



SPECIFICATIONS

1. input voltage: 110VAC 60Hz
2. output voltage: 13.8VDC Fixed voltage.
3. output voltage regulation: less than 2%
4. protection: Short-circuit, Automatic current limiting
With in 30A