

MFJ PORTABLE FOLDED DIPOLE ANTENNA

| <u>MODEL NO.</u> | <u>BAND COVERAGE</u> |
|------------------|----------------------|
| MFJ-1770 | 15 Meter |
| MFJ-1771 | 17 Meter |
| MFJ-1772 | 20 Meter |
| MFJ-1773 | 30 Meter |
| MFJ-1774 | 40 Meter |
| MFJ-1776 | 6 Meter |

GENERAL DESCRIPTION

The antenna is a no-compromise full-size folded dipole antenna designed to give your QRP station real on-air "punch". Fabricated almost entirely from tough 300-Ohm twinlead, this antenna is lightweight, easy to transport, and simple to erect. Best of all, you'll never need an antenna tuner; a 50 Ohm matching network is built right into the antenna's feed system. A random length of 50 Ohm coax from your rig to the end of the antenna feed can be added if you need more feedline.

INSTALLATION

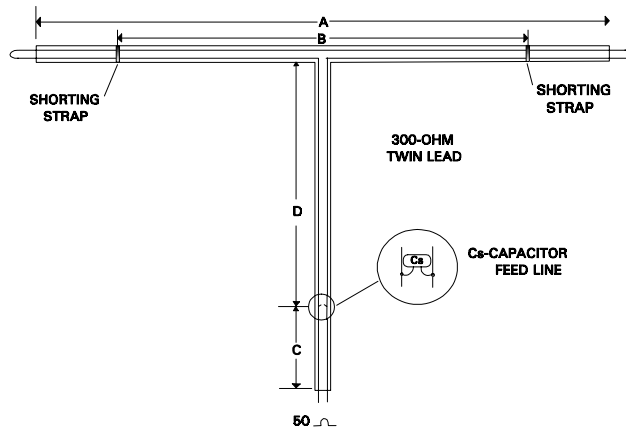
This antenna is very light in weight; inexpensive nylon "sash" cord is all you need to support it. Simply tie your end-lines through the end-holes provided in the antenna's twinlead insulation. Do not use conductive wire for end-lines this will detune the antenna.

For best results, find supports that are high and in the clear. If you have a choice, run your end-line over the crown of a tree rather than attaching it to a low branch. If you have only one high support, set the antenna up as a sloper or inverted "V".

Run the feedline at a right angle to the antenna for at least 30'. Avoid running the balanced portion of your feedline (the 300-Ohm flat line) next to your tower or other metal structures. This may detune the antenna and degrade efficiency. Use coax for feedline runs inside your house.

Although designed for QRP rigs, the antenna will handle full RF output from a 100-Watt transceiver (*do not* exceed 100 Watts).

| |
|--|
| <p>WARNING: Constructing or erecting amateur radio antennas in locations where they may come into contact with electrical power may result in accidental injury or death.</p> |
|--|



| <u>BAND</u> | <u>LENGTH A</u> | <u>LENGTH B</u> | <u>LENGTH C</u> | <u>LENGTH D</u> | <u>Cs</u> |
|-------------|-----------------|-----------------|-----------------|-----------------|-----------|
| 6 Meter | 9' 1" | 7' 7.25" | 11.5" | 7' 7.5" | 22pF |
| 15 Meter | 22' 0.5" | 18' 6.50" | 2' 3.5" | 26' 8.5" | 51pF |
| 17 Meter | 25' 10" | 21' 8.75" | 2' 8.5" | 26' 3.5" | 60pF |
| 20 Meter | 33' 0.0" | 27' 9.25" | 3' 5.5" | 25' 6.5" | 75pF |
| 30 Meter | 46' 2.5" | 38' 10.5" | 4' 10" | 24' 2.0" | 107pF |
| 40 Meter | 65' 5.5" | 55' 0.5" | 6' 10" | 22' 2.0" | 151pF |

